

Data Sheet

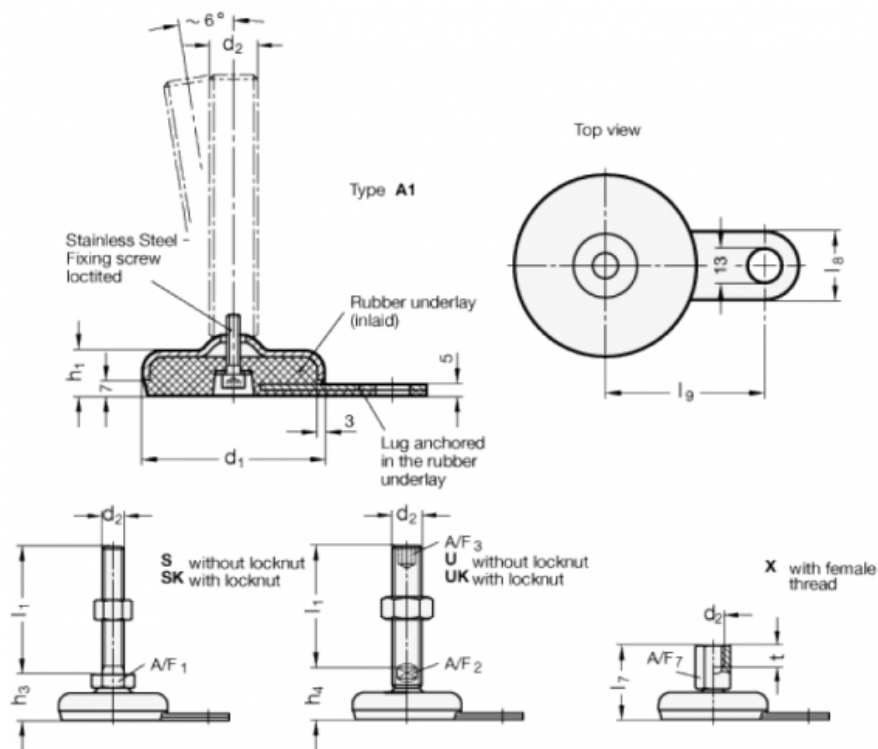


Article number: 203280M20150A1U

Description: E+G levelling foot
GN 32-80-M20-150-A1-U

Note: U Without nut, Hexagon socket at the top, Wrench flat at the bottom

Measures



A/F2 = 15

I9 = 70

A/F3 = 10

d1 = 80

d2 = M20

h1 = 20

h4 = 35

l1 = 150

l8 = 30